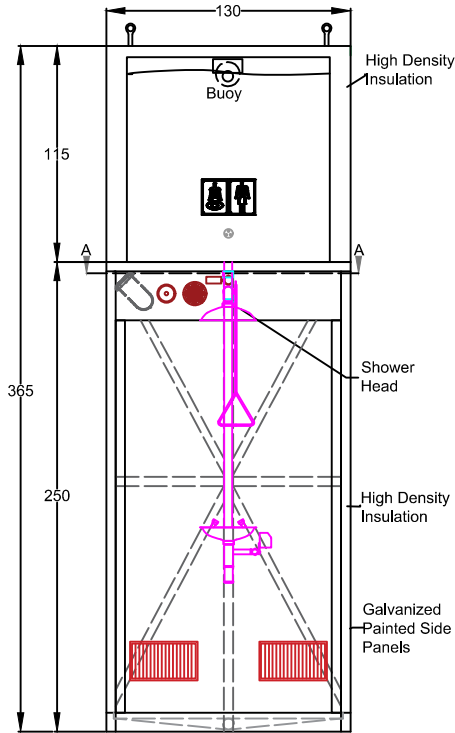
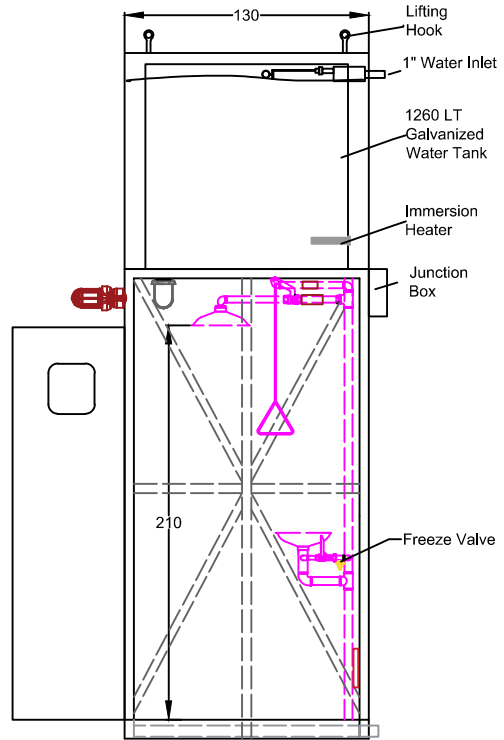


ДУШ С ЁМКОСТЬЮ ДЛЯ ВОДЫ МОДЕЛЬ С  
 ЭЛЕКТРИЧЕСКИМ НАГРЕВАТЕЛЕМ(1260LT)  
 ISTEС Type ESW- OWT  
 (EXPROOF)

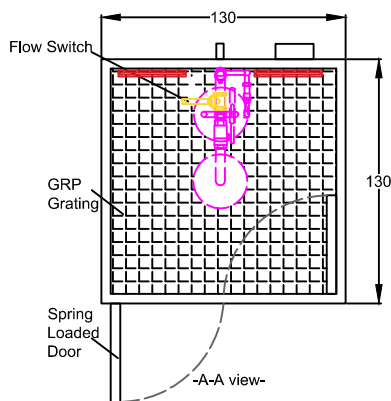


-front view-



-side view-

TOLERANCE: ± 5 CM



-A-A view-

FEATURES

- WATER TANK MATERIAL (1260 LT GALVANIZED)(INSULATED)
- SIDE PANEL MATERIAL (GALVANIZED PAINTED)
- MAIN FRAME (DKP)
- EYEWASH AND SHOWER (STAINLESS STEEL)
- INSULATION (PIR)
- SPRING LOADED DOOR
- GRP GRATING

ACCESSORIES

- LIGHTING (EXPROOF)
- AUDIBLE AND VISUAL ALARM (EXPROOF)
- FLOW SWITCH (EXPROOF)
- IMMERSION HEATER (EXPROOF)
- FREEZE VALVE

<b>IST</b>	FIRST ISSUE			SS	FA	ST	CUSTOMER		YAMATA	
	REV.	DATE	DESCRIPTION	DESIGNED	CHECKED	APPROVED	PRODUCT			
STATUS FOR INFORMATION <input type="checkbox"/> FOR REVIEW <input type="checkbox"/> FOR APPROVAL <input type="checkbox"/>	FOR RFO/DESIGN <input checked="" type="checkbox"/>			DESIGNED	✓	SS	SIZE	SCALE	15037100	
				CHECKED	✓	FA	A4	1/100		
				APPROVED	✓	ST	DRAWING NUMBER/DATE:		SHEET:	DRAWING NAME:
						922/16-1		1	1	Аварийный душ с емкостью для воды